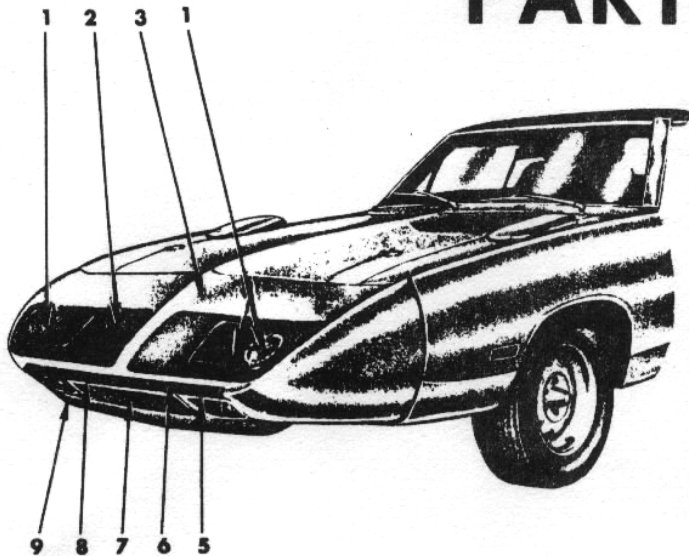


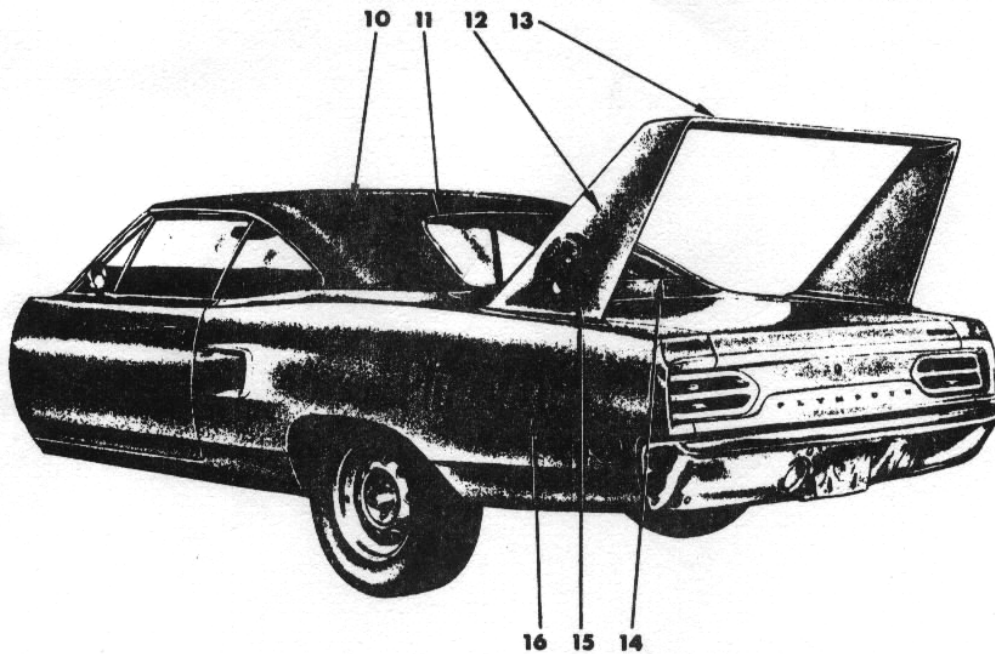
SUPER BIRD

PARTS LIST



1970 SUPER BIRD

REF. NO.	PART NUMBER	DESCRIPTION
1-	3571 170-1	DECAL
2-	3571 178-9	DECAL
3-	3571 101	NOSE CONE Complete
3-	3571 192	NOSE CONE (Sheet Metal only)
5-	3571 146-7	FRAME
6-	3571 174	RUB STRIP
7-	3571 156	PANEL
8-	3571 157	FRAME
9-	3412 616	SPOILER

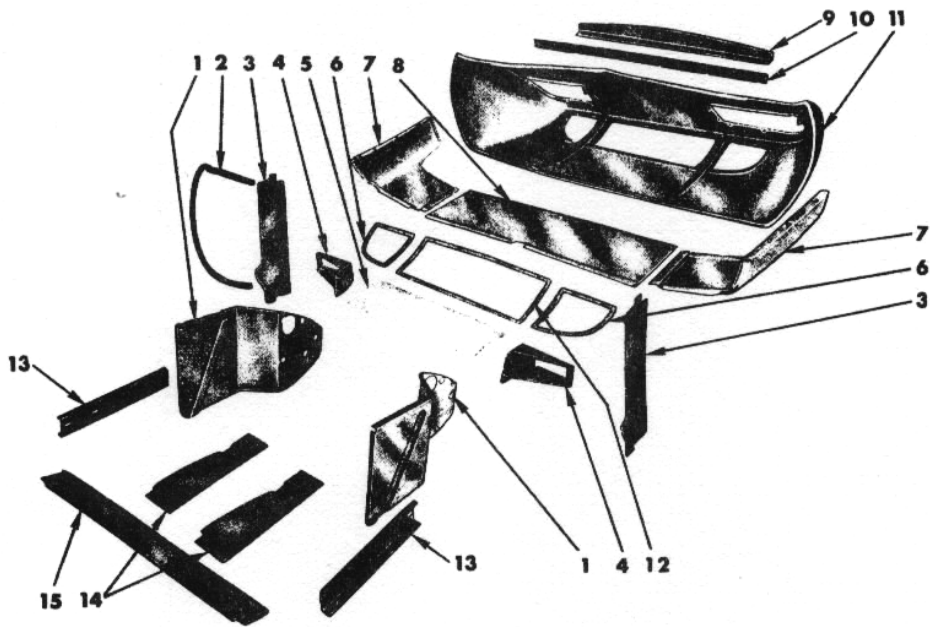


19a3316

REF. NO.	PART NUMBER	DESCRIPTION
10-	3571110	VINYL ROOF BLACK
11-	3571106-7	MOULDING
12-	3571138-9	VERTICAL STABILIZER
13-	3571137	HORIZONTAL STABILIZER
14-	3571108-9	MOULDING

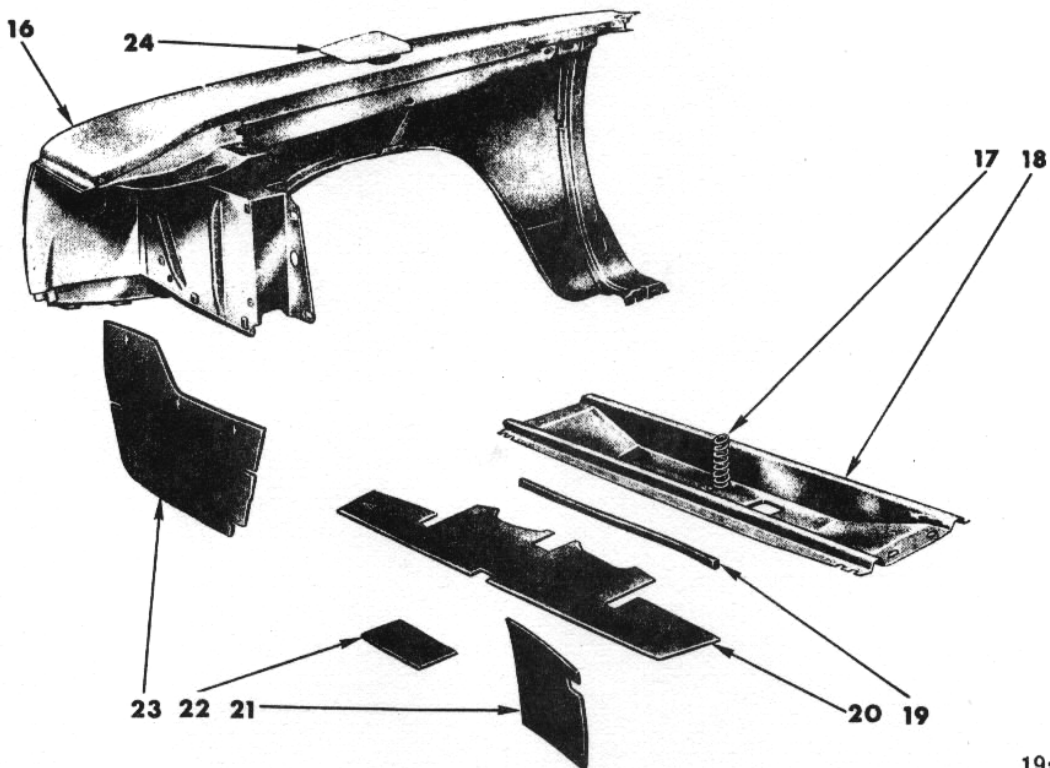
REF. NO.	PART NUMBER	DESCRIPTION
15-	3571 142	DECAL BLACK
15-	3571 143	DECAL WHITE
16-	3571 114	DECAL BLACK
16-	3571 128	DECAL WHITE

SUPER BIRD NOSE CONE



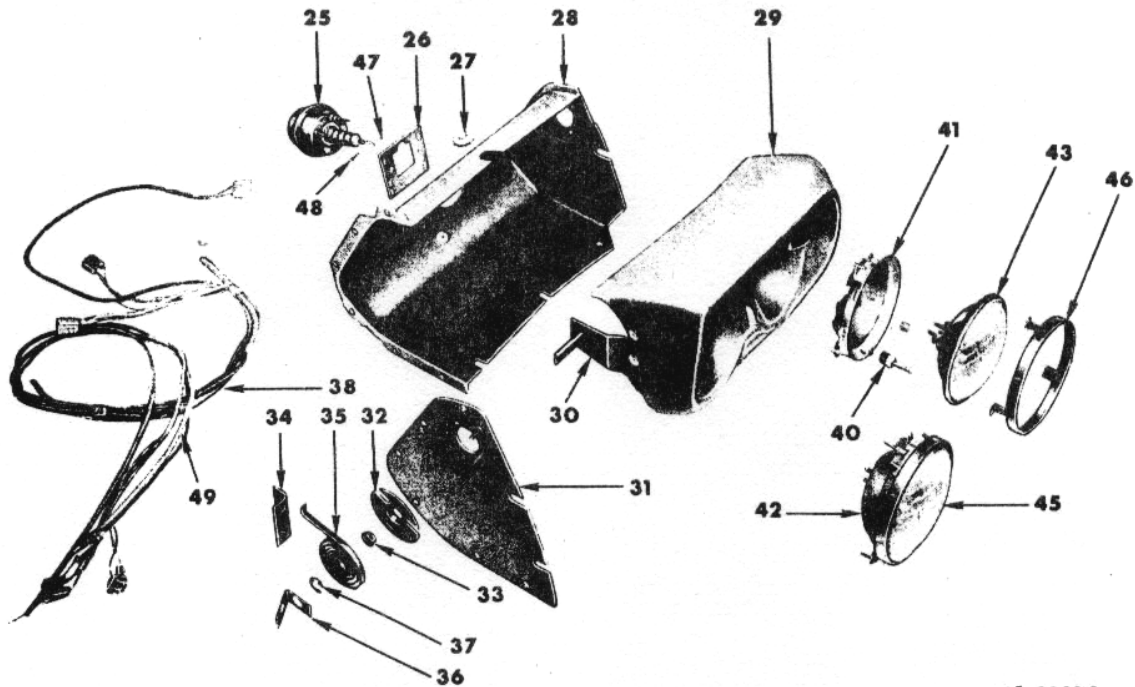
19a3317

FENDER-VALANCE-SCOOP



19a3318

SUPER BIRD HEAD LAMP



19a3080 A

REF. NO.	PART NO.	DESCRIPTION
1	3412 606-7	BULKHEAD
2	3571 162	SEAL
3	3571 163	SEAL
4	3571 154-5	BRACKET
5	3571 156	PANEL
6	3571 146-7	FRAME
7	3571 167-8	PANEL
8	3571 148	PANEL
9	3412 616	SPOILER
10	3571 174	TRIP
11	3571 192	NOSE CONE ASSY (SHEET METAL ONLY)
11	3571 101	NOSE CONE ASSY COMPLETE
12	3571 157	FRAME
13	3571 150-1	SUPPORT
14	3571 172	SEAL
15	3571 152	CROSSMEMBER
16	3571 158-9	FENDER
17	2935 375	SPRING
18	2949 874	CROSSBAR
19	3571 187	SEAL
20	3412 686	SEAL
21	3412 692	SEAL
22	3412 691	SEAL
23	3571 164	SEAL
24	3571 132-3	AIR SCOOP
25	2926 961	ACTUATOR

REF. NO.	PART NO.	DESCRIPTION
26	3412 636	PLATE
27	144 229	GROMMET
28	3412 766-7	COMPARTMENT
29	3412 620-1	HEADLAMP HSG.
30	3412 618	BRACKET
31	3412 666-7	PLATE
32	3412 631	CAP
33	6027 280	BUSHING
34	3412 694	BRACKET
35	3412 630	SPRING
36	6027 292	CLIP
37	1922 183	"C" CLIP
38	3571 160	WIRING
40	2785 842	ADJ. SCREW & NUT
41	2786 884-5	HIGH H/LAMP SEAT
42	2786 882-3	LOW H/LAMP SEAT
43	152 286	SEAL BEAM LOW
45	152 285	SEAL BEAM HIGH
46	2449 525	"J" RING
47	2857 976	SHAFT, CLIP
48	9416 049	SCREW
49	3412 675	VAC. HOSE 22" BLACK
49	3412 676	VAC. HOSE 22" YELLOW
49	3412 677	VAC. HOSE 16" BLACK
49	3412 678	VAC. HOSE 16" YELLOW
49A	2926 337	TUBE AND CONNECTOR H/ LAMP DOOR VAC. CONTROL

ADDITIONAL PARTS LIST (Not Illustrated)

QTY.	PART NO.	DESCRIPTION
1	3412 150-1	MLDG. W/S O/Side Finsh
1	3412 644	CAR JACK Front Wheel
1	3412 645	HANDLE Car Jack Front Wheel
1	3412 652	BRACKET Front License Plate Mtg.
10	3412 684	BOLT Nose Cone
2	3412 687	CAP SCREW Stabilizer Attaching
8	3412 693	POP Rivet
2	3412 698	SEAL Yoke To Radiator
1	3412 764-5	HEAD LAMP Door
1	3412 784-5	VERTICAL FIN Support Front
1	3412 790-1	VERTICAL FIN Support Rear
1	3571 103	HEADLINING Black
1	3571 104	SHELF Trim Panel Black
1	3571 105	MOULDING Rear Window Flex one Piece
1	3571 112-3	MOULDING Vinyl Roof Trim Rear Side
1	3571 116-7	ANGLE SUPPORT Rear Window Upper Corner
1	3571 118	ANGLE SUPPORT Rear Window Upper
1	3571 119	REINFORCEMENT Rear Window Upper
1	3571 121	REAR WINDOW Glass Clear
14	3571 123	J-NUT Rod Grille Att. P & T Frame
1	3571 126-7	RETAINER Rear/Window H/Lining Side
1	3571 134-5	REINF. PLATE WING Vert-Stabilizer
2	3571 136	INSULATOR Vertical Stabilizer
1	3571 141	HOOD
2	3571 144	VERTICAL FIN Support Angle Bracket
2	9409 682	PIN STABILIZER Angle Limiting
1	3571 149	YOKE Extension Plate
2	3571 153	HEAD LAMP Hsg. Pivot Bracket
1	3571 165	PANEL Roof Ext.
1	3571 169	WIRING Bulkhead to Rad. Yoke
1	3571 181	PANEL Bulkhead Upper Closure
1	3571 182-3	RETAINER, Rear H/Lining Upper
1	3571 185	OIL COOLER Mtg. Bracket Hemi Eng. Only
1	3571 188	BRACKET Jack Towage
1	3571 194-5	MOULDING Qtr. o/Side Belt
2	3571 196	DECK LID Hinge Stop Bracket
4	3571 199	SPACER Park and Turn Signal Mounting
1	9427 741	WELD BOLT Jack Hold Down
1	2889 965	H/Lamp. Vac TANK BRKT. and VALVE
1	3412 766-7	H/LAMP housing Compartment (Partial)
1	3004 113	H/LAMP SWITCH
1	2864 029	H/LAMP Door actuator Switch
1	3403 092-3	LAMP, Park and Turn Signal
1	3784 EX9	R/WINDOW I/SIDE Mldg. Trim Joint Cap



Printed in U. S. A.

**MAY
1970**

**81-690-0895
Revised**